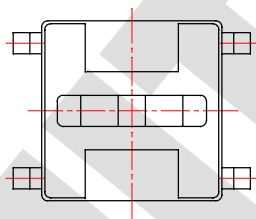
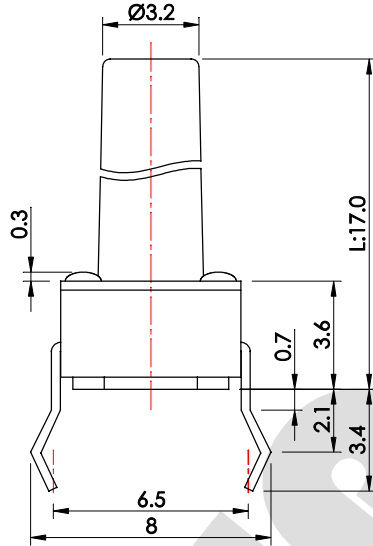
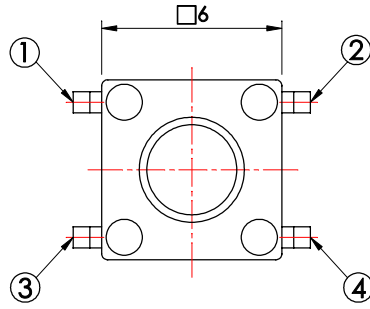
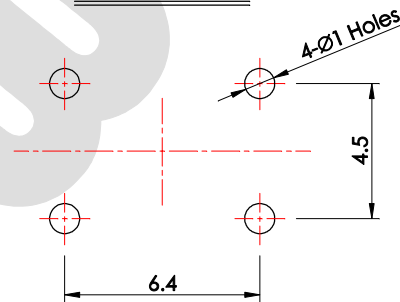


本圖面若與目錄之規格尺寸不符，以本圖面規格尺寸為主。
Below is our main specification if different from catalog.

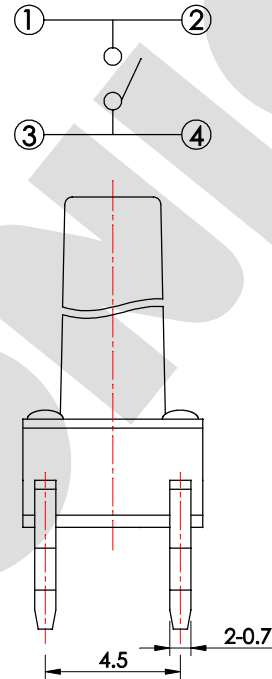
RoHS compliant



P.C.B. LAYOUT



CIRCUIT DIAGRAM



SPECIFICATION

- Rating: 50mA 12V DC Max.
- Circuit: SPST.
- Function: OFF-(ON).
- Travel: 0.25±0.10mm.
- Contact resistance: 100mΩ Max.(initial)
- Operating force: 160±50g.
- Minimum load: 10mA 3.3V DC.(reference only)
- Life: 100,000 Cycles Min.
- Soldering temperature: 250°C Max. for 3 sec.
- Soldering time: 1 time only.
- Note 1: Unwashable, don't be immersed by epoxy and organic solvent.
- Note 2: Please check the actual size, do not scale the drawing page.

RoHS compliant

06XXXHIM-XXXG-G

MODEL NO.	L
11	11.0
125	12.5
13	13.0
135	13.5
17	17.0

OPERATING FORCE
100, 130, 160, 250, 350



CV3.2	▲		
CV3.1	無	改版	2015.04.09
CV3.0	無	新繪製	2012.09.06
版本 VER.	符號 SYMBOL	修改內容 ALTERATION	更新日期 DATE

產品 PRODUCT		Tact Switch		型號 MODEL NO.		0617HIM-160G-G	
比例 SCALE	4 : 1	單位 UNIT	mm				
公差 TOLERANCE	±0.3mm						
製圖 DRAWN BY	核圖 CHECKED BY	主管 APPROVED BY		一綺電子企業股份有限公司 總公司：110 台北市信義路四段415號13樓之3 13F-3 NO. 415, SEC. 4, HSIN YI ROAD, TAIPEI, TAIWAN TEL : 886-2-27290229 (Rep.) FAX : 886-2-27582086 URL : http://www.switronic.com.tw E-MAIL : switches@ms36.hinet.net			
Peter Luo	Chuck Young	Margaret Lee					

